

HARVIA THE WALL

HSWE900400M

Harvia The Wall Black Steel heater was created with a focus on functionality. Easy installation, and durable structure make The Wall heater versatile in its features. The model E sauna heater is controlled by a separate.

Advantages

- Compact, stylish and reliable heater for medium-sized sauna rooms
- Stylish black steel color provides a modern touch
- Controlled by a separate control unit
- Option to integrate heater in the sauna bench
- Durable structure and technical features extend heaters lifespan



Features

Main material : Steel

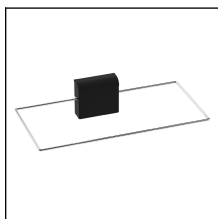
H x W x D : 700.0 x 380.0 x 260.0 mm

Net weight (kg) : 11.9

Installation location : Wall

ID	GTIN	Output (kW)	Sauna room size min - max m3
HSWE900400M	6417659026550	9 kW	8.0-14.0

Related products



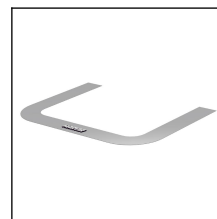
SFE-220400



HSW5



HSW5L



HSW1



HSW5

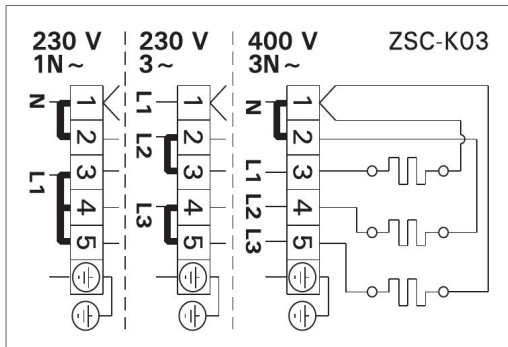
Spare parts

Product	ID	Pcs
Thermostat/overheating limiter switch	ZSK-520	1
Timer + axel lock	WX641	1
Wall indicator lights	ZWA-061	1
Thermostat knob, The Wall	ZWA-021	1
Heating element support part The Wall	ZWA-007	1
Timer knob, The Wall	ZWA-011	1
Axle inlet rubber seal, The Wall	ZWA-022	1
Heating element support for Wall E/Combi	ZWA-077	1
Heating element support The Wall E/Combi, AlZn	SPZWA-077	
Pilot lights The Wall, red	SPZWA-061	
Heating element support, The Wall	SPZWA-007	
Lead through rubber, The Wall	SPZWA-022	
Axle long, The Wall SW80-90	SPZWA-016	
Knob timer, The Wall SW45-90	SPZWA-011	
Thermostat overheating limiter switch	SPZSK-520	
Knob thermostat, The Wall SW45-80	SPZWA-021	

Technical details

Technical data	Type / attribute	HSWE900400M
	Color	Black Steel
	Power output	9 kW
	Stone amount (kg)	20
Dimensions	Product width	380
	Product height	700
	Product depth (mm)	260
	Net weight (kg)	11.9
	Gross weight	13.5
	Package width	460
	Package height	623
	Package depth	264
Safety and installation dimensions	Safety distance front (non-combustible materials)	30
	Safety distance front (combustible materials)	30
	Safety distance right side (combustible materials)	80
	Safety distance right side non-combustible materials	80
	Safety distance left side (combustible materials)	80
	Safety distance left side non-combustible materials	80
	Safety distance side (non-combustible materials)	80
	safety distance to the side wall (combustible materials)	80
	Safety distance (Ceiling)	1200
	Room min. height(depends on connections and therefore from output, star/delta)	1900
	Installation opening height	1900
	Installation opening width	540
Installation opening depth	290	

Technical images



Heater Ofen	400V 3N~		230V 1N~	
	Fuses Sicherungen A	Power cable Anschlusskabel HO7RN-F min. mm ²	Fuses Sicherungen A	Power cable Anschlusskabel HO7RN-F min. mm ²
SW45E	3 x 10	5 x 1,5	25	6
SW60E	3 x 10	5 x 1,5	35	10
SW90E	3 x 16	5 x 2,5	50	10

Electrical connections (SW45E, SW60E, SW90E)